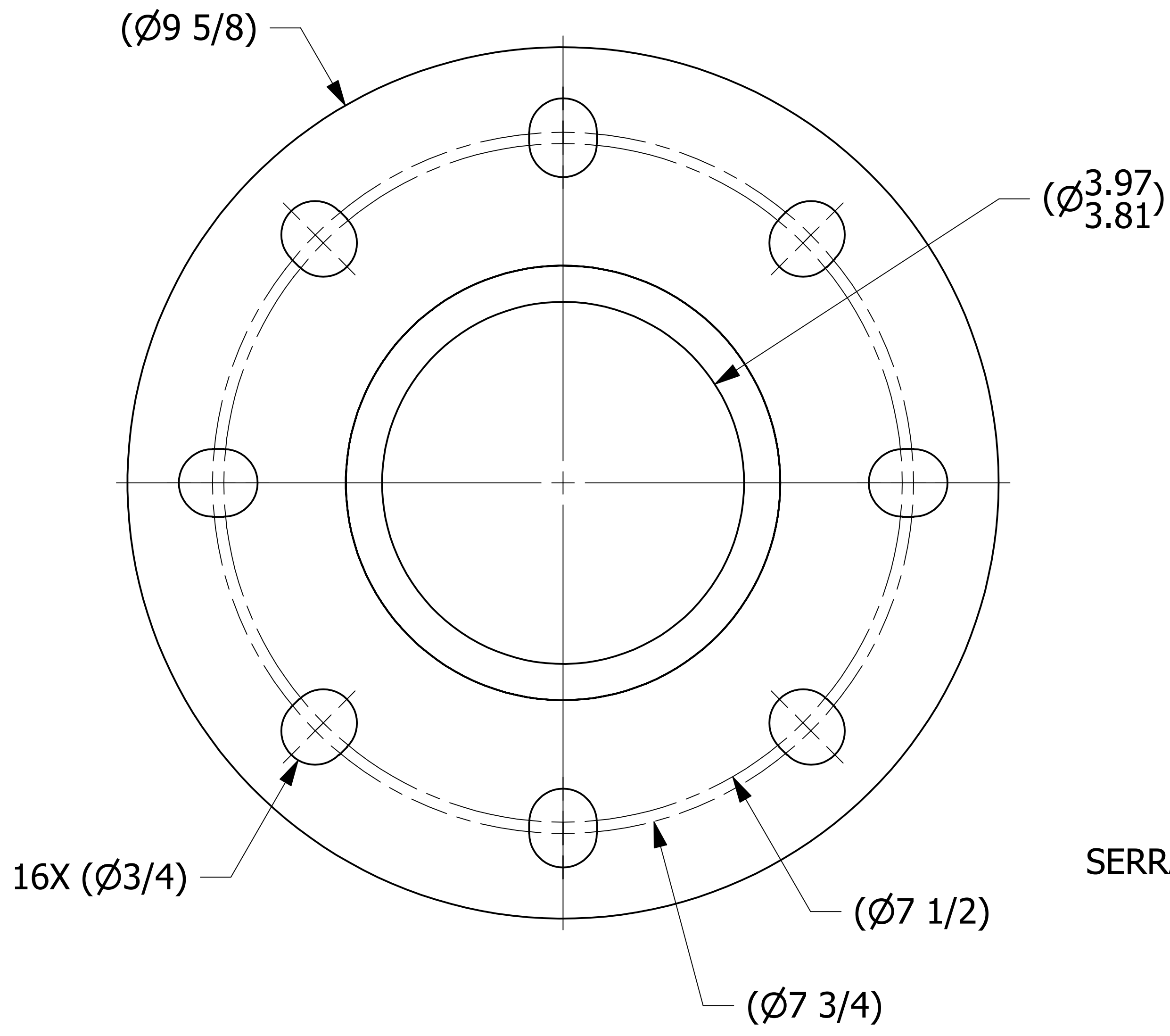
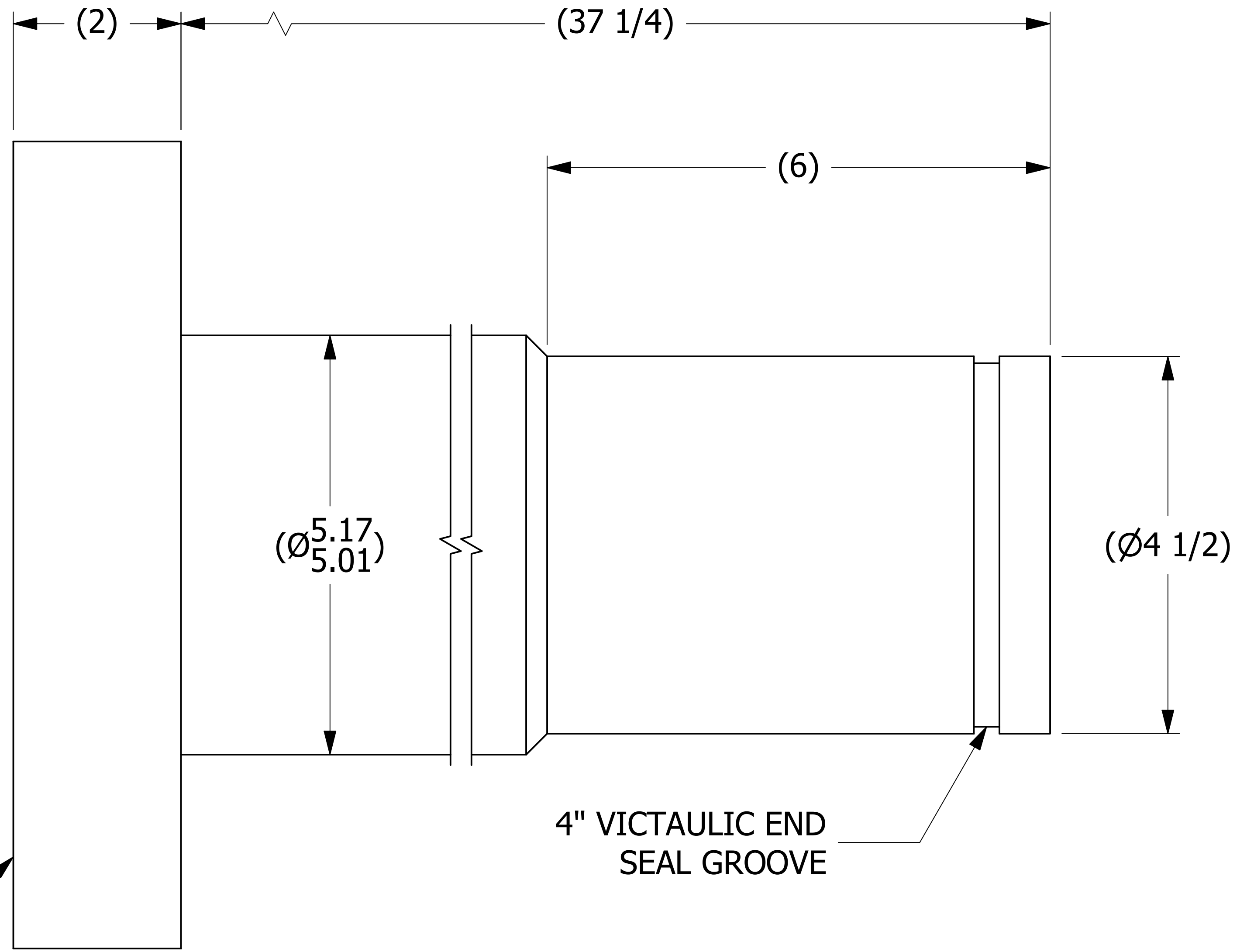


SALES DRAWING

SALES DRAWING



SERRATED GASKET SURFACE



A	RJP	7-15-14	RELEASED FOR PRODUCTION
REV	BY	DATE	DESCRIPTION

UNLESS OTHERWISE SPECIFIED DIMENSIONAL TOLERANCES FRACTIONAL: $\pm 1/16$ X.XX: $\pm .03$ X.XXX: $\pm .015$ ANGULAR: $\pm 1^\circ$ DEBURR ALL SHARP EDGES. ALL MACHINED SURFACES TO HAVE A 125 RMS FINISH UNLESS NOTED OTHERWISE. THIRD ANGLE PROJECTION	DRAWN BY:	RJP
	CHECKED BY:	CHL
	PROTOTYPE BY:	RJP
	PROTOTYPE DATE:	6/19/2014
	APPROVED FOR PRODUCTION BY:	GS
	PRODUCTION DATE:	7/15/2014

SALCO PRODUCTS, INC.		
PART NAME: PIPE STUB 4"		
MATERIAL: SALCO PE	PROJECT #: H140618FR	SHEET #: 1 OF 1
DRAWING #: D39270	PART #: HS4PST453725BK	SCALE: 1:1

THIS PRINT, PROPERTY OF SALCO PRODUCTS INC. CONTAINS PROPRIETARY INFORMATION AND MUST NOT BE COPIED, REPRODUCED, OR USED DETRIMENTALLY TO OUR INTEREST.